



**MINDTHEGAP**  
DESIGN & SUPPLY

# DESIGNER WALLPAPER HANGING GUIDE

for designs made on 3 rolls (A, B and C)

*Thank you for choosing MINDTHEGAP Designer Wallpaper!*

In order to create beautiful walls with our designs, we recommend you and your decorator read the instructions below before hanging your wallpaper. Also, for best results we recommend using a professional decorator to hang your wallpaper.

## TOOLS YOU'LL NEED:

- Tape measure and ruler
- Sharp cutter
- Plumb bob or laser level
- Sponge and a bucket of clean water
- Paste (for non-woven wallpaper)
- Paste brush or roller & tray
- Soft cloth
- Pencil
- Ladder or chair
- Scissors

## CHECK THE WALLPAPER:

All our designer wallpapers come in 3 standard rolls of 300cm(118in) length and 52cm(20.5in)width. First of all, please inspect the rolls and make sure the colours and pattern (Roll A, B, C) match the design you have ordered. Also, please check which way up the design should be and if you have any doubts, consult the product with your retailer or search for the design online on our website.

**Please allow the wallpaper to sit for 24 to 48 hours after removal from the box, as it needs to fully adjust to the room temperature before it is applied onto the wall.**

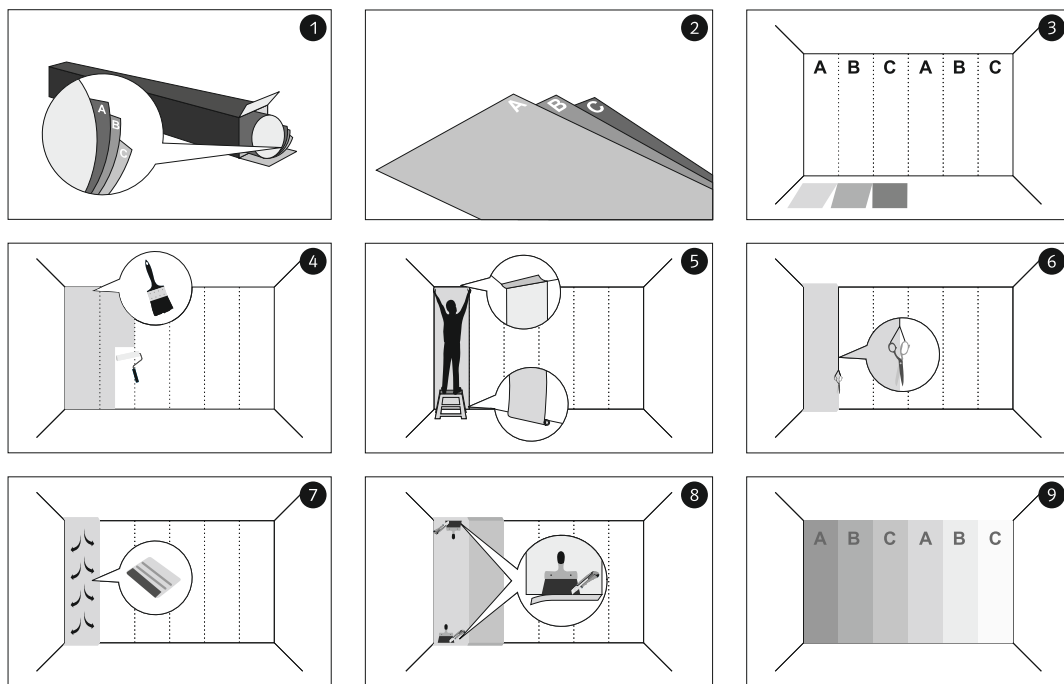
## HOW TO PREPARE THE WALL:

- For a seamless result, walls should be clean, smooth and dry.
- Painted walls should be rubbed down, to remove grease and provide a more adherent surface. Glossy paints or other shiny finishes should be rubbed down with sandpaper, while any dents or holes in the walls should be filled and properly fixed.
- Prime the surface of the walls before hanging the wallpaper. If necessary, we recommend lining up the walls using a premium grade lining paper. Always hang the lining paper horizontally, following manufacturer's instructions, and allow it to dry completely before moving forward with the installation.
- Do not hang wallpaper on new plaster or walls that haven't been primed correctly.

## HOW TO INSTALL:

- Find the information on the black strip for placing the wallpaper in the correct order – starting with roll A and then continue with rolls B and C.
- Apply paste onto the wall with a roller, never on the paper. Put enough paste for about 2-3 lengths at a time. For edges or top and bottom, use a brush to apply paste.

- Take one length of wallpaper and apply it on the pasted wall. Leave a few extra centimetres both at the top and bottom, to ensure the wallpaper covers the wall completely. Always double check to keep the straight match of the pattern.
- Smooth the wallpaper strips from top to bottom and from centre outwards. Use a brush or roller and make sure there are no air bubbles left.
- Remove the excess wallpaper from the ceiling and floor, using a sharp cutter.
- Apply the next strip of wallpaper by putting the edges together. Double check the pattern matches across both sections. Please keep in mind that always after roll C you have to continue with roll A.
- Wash away excess paste with a damp soft cloth.



PLEASE NOTICE! When designs have dark backgrounds, you may want to disguise the joins or the edge of the wallpaper with a suitable coloured chalk or pastel.

## AFTER INSTALLATION:

- Ventilate the room well to ensure complete dryness of walls.
- Our wallpaper is washable, so you can remove any excess paste left on the surface of the wallpaper by using a damp soft cloth.
- Due to the printing process, some residue ink may come off the first time you clean the wallpaper. However, this does not affect the true colours in the design or the quality of the substrate. Always wipe off the wallpaper vertically.
- Never apply any kind of masking tape on the surface of the wallpaper, as this may affect the integrity of the design, which is printed on the surface.

## DISCLAIMER:

- Responsibility of wallpaper installation is entirely yours. All the information we provide on installation is given in good faith, but without guarantee, as site conditions are beyond our control.
- Please make sure you notify your supplier of any product faults, prior to installation, but within 14 days after receiving the product.
- We cannot accept responsibility for faulty products after the wallpaper has been hung.