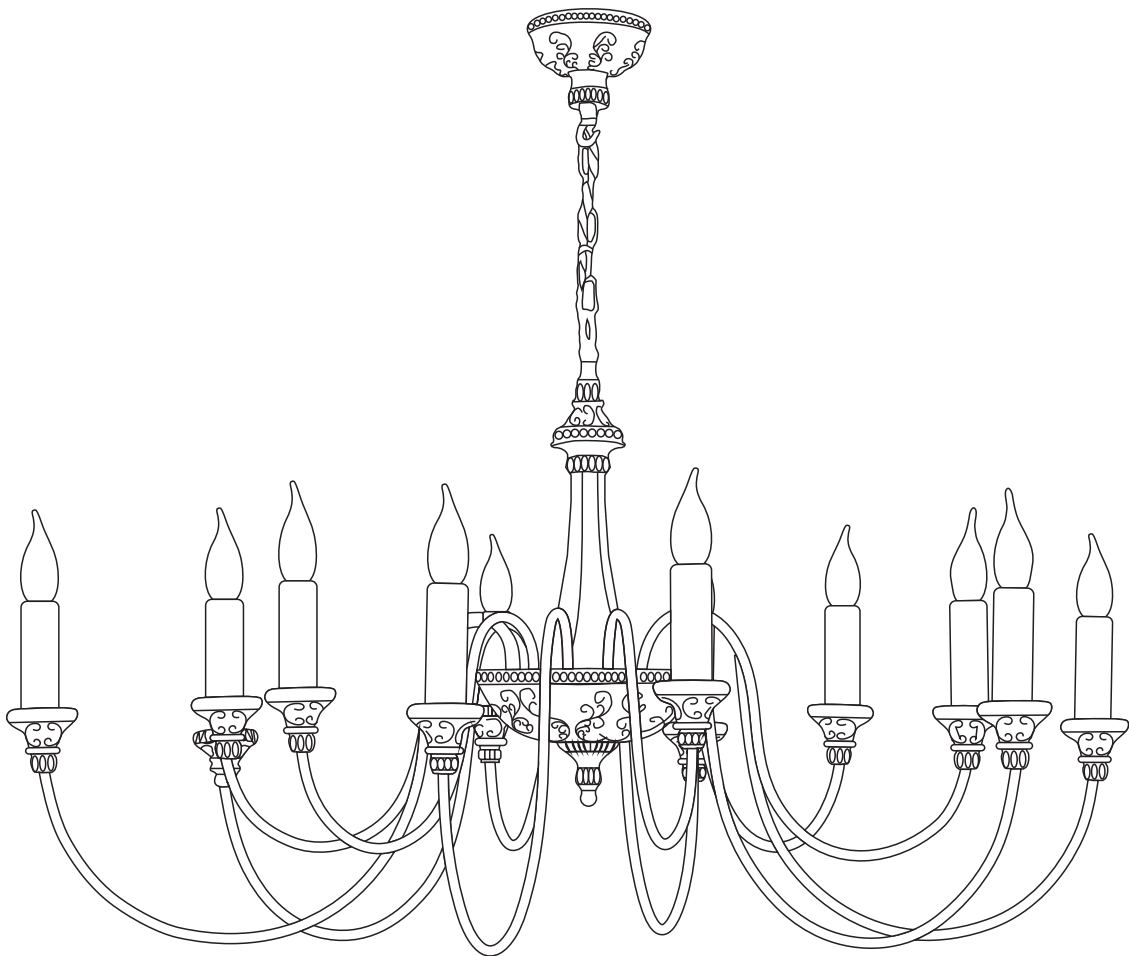



LIGHTING

**BAILEY I2 light Pendant
in Sage Green Resin
INSTALLATION GUIDE**



IMPORTANT SAFETY INSTRUCTIONS:

- These instructions are provided for your safety. Please study them carefully before attempting installation and retain them for future reference.

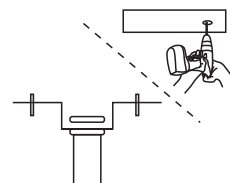
**DIRECT WIRE FIXTURE:
WE STRONGLY RECOMMEND INSTALLATION BY A LICENSED ELECTRICIAN**

SAFETY INFORMATION:

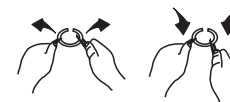
- If you are in any doubt about the installation of electrical products consult a qualified electrician.
- This light fitting should be installed in accordance with IEE Wiring Regulations and the Building Regulations.
- To prevent electrocution switch off at the mains supply before installing or maintaining this fitting. Ensure other persons cannot restore the electricity supply without your knowledge.
- To avoid damage to concealed wiring during installation, establish the direction of the supply cable before drilling fixing holes.
- This light fitting is Class I = ⚡ and should be installed to a lighting supply (with earth) protected by a 5 amp fuse or equivalent circuit breaker.
- Always be sure to use the correct type and wattage of bulbs as indicated on the fitting. Never exceed the wattage stated.
- When changing the bulb, always switch off at the mains and allow the old bulb to cool down before handling. Dispose of used bulbs carefully.

TO ASSEMBLE:

- Ensure that the main electricity supply is switched off at the fuse board.
- Before removing the existing fitting, carefully note the position of each set of cables. If there are loop-in cables that are not connected to the light these must be terminated in a separate terminal block not connected to the fitting
- Locate then separate saddle bracket from the ceiling rose by turning saddle bracket anticlockwise, take care not cut your hands whilst handling. Using the Saddle bracket as a template, mark and then drill the fixing holes into a ceiling joist or other suitable mounting. Whilst screws are provided, a suitable method of fixing must be chosen, depending on the type of ceiling you have. It is essential that a good solid fixing be made. Take care not to damage wiring.

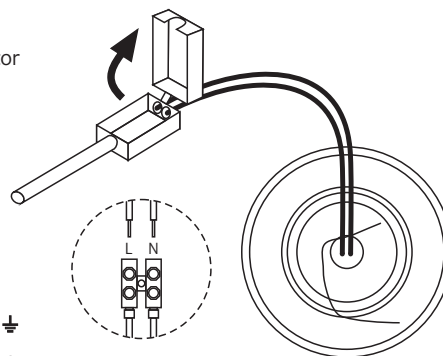


- **Pendant Height Adjustment Chain Links:** may be adjusted to reduce the height of the fitting. Using two pairs of pliers carefully open the chain links and remove the required number of links. Close the links. Note: Cloth should be used between the jaws of the pliers to protect the decorative finish. Pull any excess cable through the ceiling cup making sure the chain is supporting the weight of the fitting and not the cable.



- Feed supply cable through ceiling plate then saddle bracket whilst taking care to reposition insulation bushes. Attach saddle bracket onto the ceiling using suitable fixing screws. Take care not to trap the wiring and ensure excess wires are located inside ceiling plate or ceiling void.

- Whilst supporting the fitting, make the electrical connections as follows. Please ensure there is enough of a cavity to house the connections. Open connector block using a flat screwdriver to lever open the casing then connect fitting wires into the gated side of terminals whilst observing 'L-E-N' embossed inside casing. Feed the supply cable through the rubber sleeve:



Connect supply live (normally brown or red) to fitting live (marked "L") on the terminal block.

Connect supply neutral (normally blue or black) to fitting neutral (marked "N") on the terminal block.

Connect earth (normally green/yellow or unsheathed) to terminal block marked ⚡ on the fitting. Ensure electrical connections are tight and no loose strands of wire protrude from the terminal block. Make sure the metal terminals and rubber sleeve are correctly seated then close connector block cover by snapping back together.

- Offer ceiling plate onto the saddle bracket and push this fully onto the ceiling whilst taking care wires are not trapped, secure ceiling plate using retaining finial / fixing. Take care not to over tighten the finial / fixings.
- Where required: Some fittings may only require candle drip(s) fit these over bulb holder.
- Fit the bulb: Type and wattage as indicated on the fitting. **Do not exceed the stated wattage.**
- Switch on the electricity at the fuse board. Your fitting is now ready to use.

OTHER INFORMATION:

**The use of gloves is advisable when handling polished surfaces to avoid premature tarnishing. **

Consult care tag included for cleaning and care of the product.

PLEASE NOTICE!

If the external flexible cable or cord of this wall light is damaged, it shall be exclusively replaced by the manufacturer or his service agent or a similar qualified person in order to avoid a hazard.

CARE INSTRUCTIONS:

To clean, use a soft cloth only. Do not use any chemical or abrasive cleaners.

